

STRONG & RELIABLE

RAMM®



**HELPING MAKE
TRAILERING
FOR WORK AND
RECREATION
EASIER & SAFER.**

PRODUCT CATALOG

“The Best Overall Value In The Industry”



Pacific Rim International, LLC markets products manufactured by our family business in Ningbo, China.

We are a manufacturer that specializes in a large variety of high precision shafts, gears, auto parts as well as trailer jacks and couplers. Starting in 1992 we have now grown into a mid-size manufacturer.

The majority of our products are sold in the US, Europe and multinational corporations within China.

We offer value priced - high quality products and brand it as such.

We bring these products direct from the factory and combine it with a fully insured United States corporation - Pacific Rim International, LLC. This allows our customers access to low cost manufacturing and is backed by a US company.

We stock product at four US warehouse locations. We also can deliver mixed products in container loads direct to a customer's location.

Pacific Rim International, LLC

19120 SE 34th St., Suite 105 | Vancouver, WA 98683

Ph: 360-859-3828 Fax: 360-828-1857

Email: orders@ramtrailerproducts.com

Warehouse

LOCATIONS:

Oregon

5505 SE Mallard Way

#C

Portland, OR 97222

Indiana

3300 Reedy Dr.

Elkhart, IN 46514

Georgia

500 Great SW Pkwy

Atlanta, GA 30336

Texas

2424 N Westmoreland Rd

Dallas, TX 75212



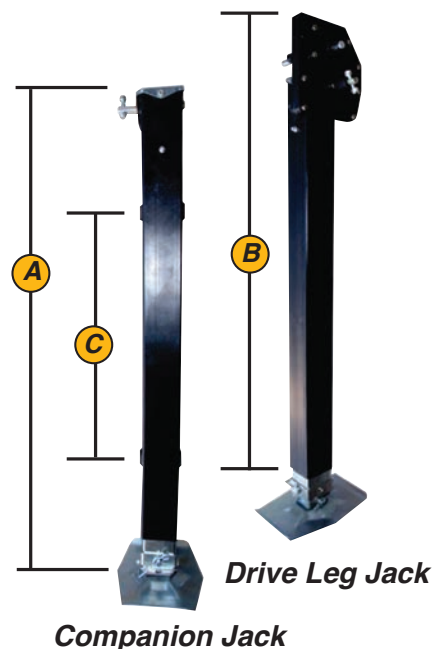
RV LANDING GEAR



You will find **RAM**® landing gear on several 5th wheel RV brands today.

- Durable construction – to last for years
- Black exterior grade powder coat on outer tube with durable zinc finish inner tube
- Spring foot plunger pin option also available – to make it faster to engage the dropleg

SYSTEM CAPACITY			
RVLG-8000	SYSTEM LBS.	PER LEG LBS.	
SUPPORT CAPACITY	16,000	8,000	
LIFT CAPACITY MANUAL CRANK	8,000	4,000	
LIFT CAPACITY SINGLE POWER KIT (OPT.)	5,000	2,500	
LIFT CAPACITY DUAL POWER KITS (OPT.)	8,000	4,000	
SYSTEM DIMENSION			
	A	B	C
RVLG-8000	33.5"	29.5"	17.5"
PERFORMANCE DATA			
TRAVEL	20"		
DROP LEG ADJUSTMENT	16"		
MANUAL CRANK TORQUE	150 IN *LBS.		
MEASURED SINGLE POWER KIT			
AMPS @ RATED LOAD	25A		
SPEED @ RATED LOAD	4.0"/MIN.		



RVLG-DFT
Durable Zinc Foot Pad



RVLG-CTB
Cross Shafts



RVLG-HDL
Manual Handle



RVLG-RDBOX
3:1 Reduction Gear Box



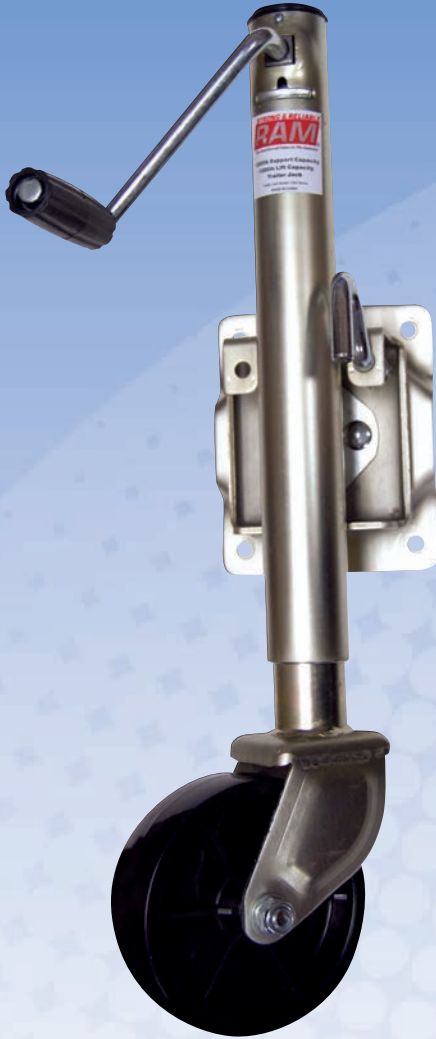
RVLG-SPP
Spring Foot Plunger Pin



MARINE SWIVEL JACKS

Ideal for use with boat, sport craft, snowmobile and other recreational trailers.

- Swivel jacks are available in 1,000lb, 1,200lb and 1,500lb capacities and all include a large 1/2" pull pin to activate the swivel mechanism
- Large comfort handle included on all models
- 1,200lb and 1,500lb models include a four bolt pin through design on mounting plate for superior side load support
- 1,000lb models include a bolt through design for side load support
- Durable clear zinc finish
- All bolt on models come with all mounting hardware and fits up to a 3"x5" trailer frame
- All weld on models come with weldable bracket
- MJSQ-2500B drop leg adds 13.75" of adjustability



MJ-1200B



MJSQ-2500B



MJ-1206B



MJ-1500B-DWL



MJ-1500B

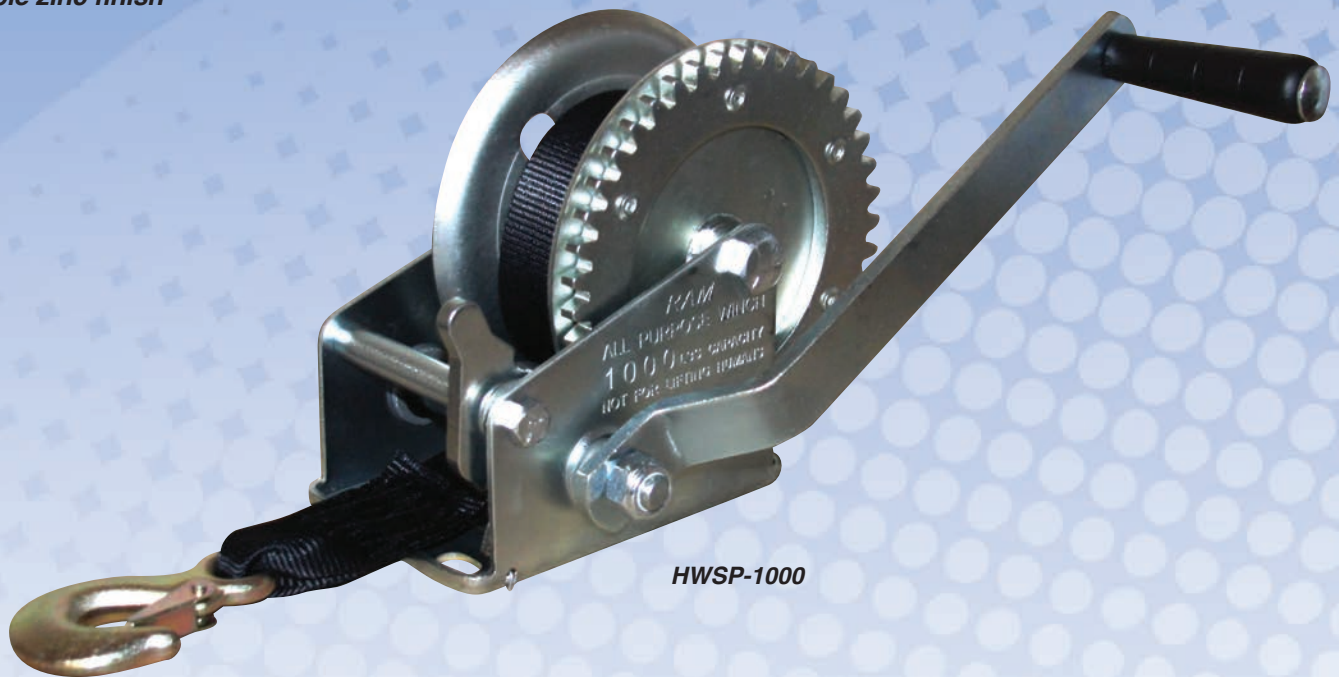
Product Code	Support and Lift Capacity	Travel Distance	Bracket Height	Jack Height (fully retracted)	Bracket Type	Caster Size	Unit Weight (lbs)
MJ-1206B	1,000	10"	13.5"	24"	Bolt on	6"	14.8
MJ-1206BBX (Retail Boxed)	1,000	10"	13.5"	24"	Bolt on	6"	15.8
MJ-1200B	1,200	10"	13.5"	24"	Bolt on	6"	15.1
MJ-1200BBX (Retail Boxed)	1,200	10"	13.5"	24"	Bolt on	6"	16.1
MJ-1500B	1,500	10"	13.5"	26"	Bolt on	8"	18.43
MJ-1500B-DWL	1,500	10"	12.5"	26"	Bolt on	Dual 6"	18.7
MJ-1500BBX-DWL (Retail Boxed)	1,500	10"	12.5"	26"	Bolt on	Dual 6"	19.7
MJSQ-2500B	2,500	15"	7.25"	24.75"	Fixed Mount	Foot	22.56

MARINE WINCHES



Ideal for marine, utility, recreational and other applications.

- Models with strap feature a 50mm x 23' black webbed strap with a yellow zinc forged safety latched hook
- Solid one piece gears for greater durability
- Thumb latch to lock winch in a desired location
- Handles include a large 3.5" comfort grip
- All models come boxed with a full overlay label
- Durable zinc finish



HWSP-1000

Product Code	Capacity (lbs)	Description	Gear Ration	Maximum Cable Length (Not Incl.)	Unit Weight (lbs)
HWSP-600	600	Hand winch includes 23' strap and 7" handle	3.1:1	4.2mm x 33'	4.74
HWSP-1000	1,000	Hand winch includes 23' strap and 8" handle	4.1:1	4.5mm x 33'	7.06
HW-1000	1,000	Hand winch includes 8" handle	4.1:1	4.5mm x 33'	6.62
HWSP-1400	1,400	Hand winch includes 23' strap and 10.5" handle	4.1:1	4.8mm x 33'	8.71
HW-1400	1,400	Hand winch includes 10.5" handle	4.1:1	4.8mm x 33'	8.27
HWSP-1600	1,600	Hand winch includes 23' strap and 10.5" handle	4.1:1	5.0mm x 33'	8.93
HW-1600	1,600	Hand winch includes 10.5" handle	4.1:1	5.0mm x 33'	8.49



A-FRAME JACKS

For use with trailers with A-frame couplers.

- Durable exterior grade black powder coat finish or durable clear zinc plated finish
- Topwind models with large black handle use a bolt head fastener. This is to ensure the handle does not pop off during operation of jack
- Handle arm has durable zinc finish for a nice look
- Some topwind models are available with a comfortable claw knob on a clear zinc solid bar handle that can be folded away when not in use
- Sidewind jacks have an interior gear box for a nice sleek look



TJA-2000-B

TJA-2006-B

TJA-5000B

TJA-5000T-B

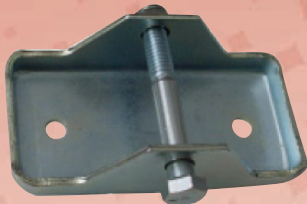
TJA-2001S-B

Product Code	Support Capacity (lbs)	Lift Capacity (lbs)	Handle Style	Travel Distance	Bracket Height	Jack Height (fully retracted)	Description	Unit Weight (lbs)
TJA-2000-B	3,000	2,000	Topwind	14"	8.25"	21.25"	Exterior grade black powder coat finish	9.05
TJA-2000-Z	3,000	2,000	Topwind	14"	8.25"	21.25"	Durable clear zinc finish	9.05
TJA-2001-B	3,000	2,000	Topwind	14"	5"	21.25"	Exterior grade black powder coat finish	9.05
TJA-2002-B	3,000	2,000	Topwind	15"	9.25"	24.25"	Exterior grade black powder coat finish	9.96
TJA-2006-B	3,000	2,000	Topwind	14"	8.25"	21.25"	Exterior grade black powder coat finish	9.05
TJA-5000-B	5,000	3,000	Topwind	14"	10.5"	21.25"	Exterior grade black powder coat finish	9.63
TJA-5000T-B	5,000	3,000	Topwind	15"	10"	22.75"	Exterior grade black powder coat finish with solid bar handle and claw grip	10.11
TJA-5000T-Z	5,000	3,000	Topwind	15"	10"	22.75"	Durable clear zinc finish with solid bar handle and claw grip	10.11
TJA-2001S-B	3,000	2,000	Sidewind	14.5"	9.25"	25"	Exterior grade black powder coat finish	10.29
TJA-5000S-B	5,000	3,000	Sidewind	14.5"	9"	25"	Exterior grade black powder coat finish	13.33

A-FRAME JACK ACCESSORIES



JF-101



JF-99



JF-100



Drop leg
for greater
adjustability

JF-1005H-Z

5-1/4" Diameter (base of foot)



JC-101



JSP-100

Product Code	Product Type	Lift Capacity (lbs)	Description	Unit Weight (lbs)
JF-1005H-Z	Drop Leg	2,000	9-1/2" drop leg with snap pin (5 position adjustable)	2.62
JC-101	Poly Caster Wheel	1,200	Caster assembly with 2"x6" poly wheel, fits 2" jack tube	3.33
JC-102	Steel Caster Wheel	1,200	Caster assembly with 2"x6" steel wheel, fits 2" jack	4.22
JF-100-B	Black Jack Foot	2,000	Jack foot with hardware, fits 2" tube, 1.7" tall, black powder coat finish	1.78
JF-100-Z	Zinc Jack Foot	2,000	Jack foot with hardware, fits 2" tube, 1.7" tall, clear zinc finish	1.78
JF-101	Zinc Jack Foot	2,000	Jack foot with hardware, fits 2" tube, 8.5" tall, clear zinc finish	3.11
JF-99	Zinc Jack Foot	2,000	Jack foot with hardware, fits all a-frame jacks, clear zinc finish	0.67
JSP-100	Support Plate	N/A	Bottom support plate with 2.29" hole for 2K and 5K A-frame jacks, raw with light oil finish	0.67

STABILIZER JACKS



TJSC-24

- Scissor stabilizer jack is ideal for travel and 5th wheel trailers*
- 5000lb capacity
 - Adjustable from 4" to 24" vertical height
 - Bearing set on crank side for longer jack life
 - Eight slotted holes on top jack plate for mounting adjustability
 - Black painted finish
 - Handle sold separately



SJ-100

- Flip down stabilizer jack is ideal for all types of RV, utility and cargo trailers*
- 650lb lift and 1000lb support capacity per jack
 - Adjustable from 11-1/2" to 17-3/4" vertical height
 - Handle included with every two stabilizer jacks
 - Black painted finish



SJ-R208

- Telescopic stabilizer jack is ideal for cargo and industrial type trailers for corner stabilizing*
- 20" durable zinc inner square tube allows multiple height adjustments
 - 8" weldable raw with light oil 1-1/2" outer tube
 - Includes a snap pin for easy and quick adjusting
 - 2,000 lb. capacity

ELECTRIC A-FRAME JACKS

For use with trailers with A-frame couplers.

STRONG & RELIABLE
RAM

**IDEAL FOR
CARGO & TRAVEL
TRAILERS**

- Easy to operate with just a flip of the switch
- Durable exterior grade black powder coat finish on outer tube
- Zinc finish inner tube with removable sand foot
- 18" travel height
- Includes a drop leg for 7-1/2" of additional adjustment
- Features a very bright LED light for easy night time hookup
- Durable hardened steel gears for years and years of normal use
- Crank handle for manual override in case of power loss
- Setup for 12 volt RV/Marine deep cycle battery
- EJ-3520 models include a 57" single wire to hook up to trailer battery
- EJ-3550 and EJ-3575 models include two 57" wires to hook to trailer battery for grounding
- EJ-3575 and EJ-3577 models include remote control
- EJ-3527 and EJ-3577 models include 57" cord and 7-way plug to hook up to tow vehicle for power

EJ-3520



EJ-3575



EJ-3550



Product Code	Capacity (lbs)	Description	Unit Wt. (lbs)
EJ-3520-B	3,500	Electric A-Frame Jack (Black Finish - bulk)	22
EJ-3520-BBX	3,500	Electric A-Frame Jack (Black Finish - Retail Boxed)	24.2
EJ-3520-WBX	3,500	Electric A-Frame Jack (White Finish - Retail Boxed)	24.2
EJ-3550-BBX	3,500	Electric A-Frame Jack (Black Finish - Retail Boxed)	24.2
EJ-3550-WBX	3,500	Electric A-Frame Jack (White Finish - Retail Boxed)	24.2
EJ-3575-BBX	3,500	Electric A-Frame Jack (Black Finish - Retail Boxed w/Remote)	24.2
EJ-3577-BBX	3,500	Electric A-Frame Jack (Black Finish - Retail Boxed w/Remote + 7-way Plug)	24.2

"The Best Overall Value In The Industry"



WELD ON BRACKET SWIVEL JACKS

Ideal for use with ag, industrial, commercial, recreational and many other types of trailers.



TJB-2002S-B

TJB-2001-B

- Available with a durable black powder coat outer tube and with a durable zinc finish inner tube or with a durable clear zinc finish outer and inner tubes
- Top wind models come standard with a comfortable claw knob on a clear zinc solid bar handle that can be folded away when not in use
- Deep seated snap ring for side load support and also include a raw weld on bracket
- Large 1/2" pull pin to activate the swivel mechanism
- Grease zerk for easy greasing of jack
- Welded on 3-3/4" x 7-1/2" durable zinc finish sand foot

Product Code	Support Capacity (lbs)	Lift Capacity (lbs)	Handle Style	Travel Distance	Bracket Height	Jack Height (fully retracted)	Description	Unit Weight (lbs)
TJB-2001-B	3,000	2,000	Topwind	10"	11"	16.75"	Black powder coat outer tube, clear zinc inner tube	11.78
TJB-2001-Z	3,000	2,000	Topwind	10"	11"	16.75"	Clear zinc outer and inner tube	11.78
TJB-2001S-B	3,000	2,000	Sidewind	10"	10"	17.75"	Black powder coat outer tube, clear zinc inner tube	12.91
TJB-2002-B	3,000	2,000	Topwind	15"	16"	22"	Black powder coat outer tube, clear zinc inner tube	14.11
TJB-2002S-B	3,000	2,000	Sidewind	15"	15.25"	22.75"	Black powder coat outer tube, clear zinc inner tube	15.05

PIPE MOUNT SWIVEL JACKS



Ideal for use with ag, industrial, commercial, recreational and many other types of trailers.

- Available with a durable black powder coat outer tube and with a durable zinc finish inner tube or with a durable clear zinc finish outer and inner tubes
- Top wind models come standard with a comfortable claw knob on a clear zinc solid bar handle that can be folded away when not in use
- Includes a pin and lanyard assembly as well as a 2" raw male mating pipe (TJP-7001 models include a heavy duty 3" female mating pipe)
- Grease zerk for easy greasing of jack
- 3,000 lb. and 5,000 lb. models come standard with a welded on 3-3/4" x 7-1/2" durable zinc finish sand foot
- 8,000 lb. models come standard with a welded on 6" x 8" durable zinc finish sand foot



Product Code	Support Capacity (lbs)	Lift Capacity (lbs)	Handle Style	Travel Distance	Bracket Height	Jack Height (fully retracted)	Description	Unit Weight (lbs)
TJP-2001-B	3,000	2,000	Topwind	10"	11"	17"	9/16" pull pin lanyard, bracket mount, black powder coat outer tube, clear zinc inner tube	11.33
TJP-2001S-B	3,000	2,000	Sidewind	10"	10"	17.5"	9/16" pull pin lanyard, bracket mount, black powder coat outer tube, clear zinc inner tube	12.2
TJP-2002-B	3,000	2,000	Topwind	15"	16"	22"	9/16" pull pin lanyard, bracket mount, black powder coat outer tube, clear zinc inner tube	13.33
TJP-2002S-B	3,000	2,000	Sidewind	15"	15.25"	22.75"	9/16" pull pin lanyard, bracket mount, black powder coat outer tube, clear zinc inner tube	14.6
TJP-5001-B	5,000	3,000	Topwind	10"	11"	17"	9/16" pull pin lanyard, bracket mount, black powder coat outer tube, clear zinc inner tube	11.78
TJP-5002-B	5,000	3,000	Topwind	15"	16"	22"	9/16" pull pin lanyard, bracket mount, black powder coat outer tube, clear zinc inner tube	14.09
TJP-5001S-B	5,000	3,000	Sidewind	10"	10"	17.5"	5/8" pull pin lanyard, bracket mount, black powder coat outer tube, clear zinc inner tube	13.8
TJP-5002S-B	5,000	3,000	Sidewind	15"	15.25"	22.75"	5/8" pull pin lanyard, bracket mount, black powder coat outer tube, clear zinc inner tube	16.27
TJP-7001-B	8,000	7,000	Topwind	10"	10"	19.75"	5/8" pull pin lanyard, bracket mount, black powder coat outer tube, clear zinc inner tube	13.13
TJP-7001S-B	8,000	7,000	Sidewind	10"	10"	21.5"	5/8" pull pin lanyard, bracket mount, black powder coat outer tube, clear zinc inner tube	15.31



WELD ON SQUARE TUBE JACKS

Ideal for use with ag, industrial, commercial, large utility and many other types of trailers.



- Topwind models come standard with a comfortable claw knob on a clear zinc solid bar handle that can be folded away when not in use
- All models come standard with a durable black powder coat outer tube and a durable zinc finish inner tube
- Both drop leg and fix leg models are available
- 5,000lb models use a 2 1/4" outer tube and include a 3-3/4" x 7-1/2" weld on durable zinc finish sand foot
- 8,000lb models use a 2 1/2" outer tube and come with a large 6" x 8" weld on durable zinc finish sand foot (Select Series also available with 2 1/4" thicker outer tube)
- 8,000lb sidewind models also include a belly band welded to the bottom of the outer tube for added strength
- All models come standard with a grease zerk for easy greasing of jack
- Models with drop leg add 13.75" of additional adjustability
- Pipemount models 5/8" pin hole

PIPE MOUNT SWIVEL JACKS

Product Code	Support Capacity (lbs)	Lift Capacity (lbs)	Handle Style	Travel Distance	Bracket Height	Jack Height (fully retracted)	Description	Unit Weight (lbs)
TJDP-5000-FLB	5,000	3,000	Topwind	15"	15"	24.75"	Fixed Leg with base	17.78
TJDP-5000S-FLB	5,000	3,000	Sidewind	15"	15.75"	24.75"	Fixed Leg with base	19.86
TJDP-7000S-FLB	8,000	7,000	Sidewind	15"	14.5"	25.5"	Fixed Leg with base	23.58
TJDP-7000S-B	8,000	7,000	Sidewind	15"	14.5"	25.5"	Drop Leg	27.11
TJDP-7000-B	8,000	7,000	Topwind	15"	14.5"	25.5"	Drop Leg	25.31
TJDP-7000-FLB	8,000	7,000	Topwind	15"	16.5"	25.5"	Fixed Leg with base	21.78

DIRECT WELD JACKS

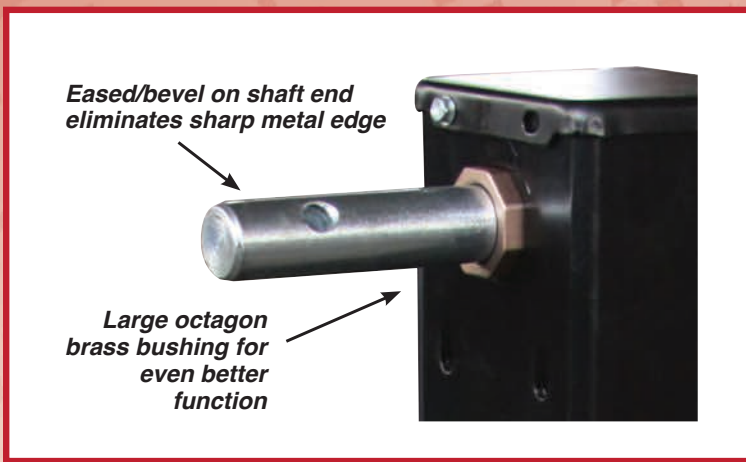
Product Code	Support Capacity (lbs)	Lift Capacity (lbs)	Handle Style	Travel Distance	Bracket Height	Jack Height (fully retracted)	Description	Unit Weight (lbs)
TJD-5000	5,000	3,000	Topwind	15"	N/A	25.25"	Drop Leg	17.96
TJD-5000S	5,000	3,000	Sidewind	15"	N/A	24.5"	Drop Leg	19.96
TJD-5000S-FL	5,000	3,000	Sidewind	15"	N/A	24"	Fixed Leg without base	16.65
TJD-7000	8,000	7,000	Topwind	15"	N/A	25.25"	Drop Leg	21.29
TJD-7000S	8,000	7,000	Sidewind	15"	N/A	25.5"	Drop Leg	23.24
TJD-8000	8,000	7,000	Topwind	15"	N/A	25.25"	2-1/4" Outer Tube	20.66
TJD-8000S	8,000	7,000	Sidewind	15"	N/A	25.5"	2-1/4" Outer Tube	22.51

12K TRAILER JACK

Ideal for commercial, construction and other types of trailers where heavy duty lifting is needed.



- Direct weld single speed side wind jack
- High alloy jack screw and nut for durable lift and life span and rated as such
- Welded belly band on bottom of outer tube for added strength
- Durable black powder coat finish on inner and outer tubes
- Grease zerks for easy greasing of jack



TJD-12020SP-F

DIRECT WELD SPRING RETURN

Product Code	Support Capacity (lbs)	Lift Capacity (lbs)	Handle Style	Travel Distance	Jack Height (fully retracted)	Total Adjust.	Description	Unit Weight
TJD-12020SP-F2	12,000	10,000	Sidewind	12.5"	28"	25.5"	Pin to front, handle and mounting hardware	55.07
TJD-12020SP-F2NH	12,000	10,000	Sidewind	12.5"	28"	25.5"	Pin to front, handle not included	52.07
TJD-12020SP-R2	12,000	10,000	Sidewind	12.5"	28"	25.5"	Pin to front, handle and mounting hardware	55.07
TJD-12020SP-R2NH	12,000	10,000	Sidewind	12.5"	28"	25.5"	Pin to side, handle not included	52.07

"The Best Overall Value In The Industry"



WELD ON SINGLE SPEED SQUARE TUBE JACKS

Ideal for commercial, construction and other types of trailers where heavy duty lifting is needed.



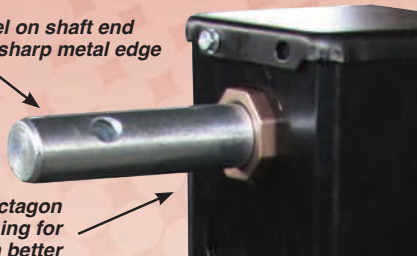
TJD-12000SP-F2

TJD-12000TW-R

- Models come standard with durable black powder coat finish on outer and inner tubes
- Some models are also available with raw finish and high temperature grease for a trailer builder utilizing powder coat application
- 12K sidewind models include a large octagon brass bushing for even better function
- 12K models are available in spring or non spring return
- 12K sidewind models are available with or without handle, handle mounting hardware and weld on clip
- Grease zerks for easy greasing of jack
- Drop leg adds 13.75" of additional adjustability

Eased/bevel on shaft end eliminates sharp metal edge

Large octagon brass bushing for even better function



Handle with bolt and nut to mount to side wind jacks

DIRECT WELD NON SPRING RETURN

Product Code	Support Capacity (lbs)	Lift Capacity (lbs)	Handle Style	Travel Distance	Jack Height (fully retracted)	Total Adjust.	Description	Unit Weight (lbs)
TJD-12000TW-R	12,000	10,000	Topwind	12.5"	26"	25.5"	Pin to side, handle and mounting hardware	54
TJD-12000-F2	12,000	10,000	Sidewind	12.5"	28"	25.5"	Pin to side, handle and mounting hardware	58.24
TJD-12000-F2NH	12,000	10,000	Sidewind	12.5"	28"	25.5"	Pin to front, handle not included	55.27
TJD-12000-R2	12,000	10,000	Sidewind	12.5"	28"	25.5"	Pin to side, handle and mounting hardware	58.24
TJD-12000-R2NH	12,000	10,000	Sidewind	12.5"	28"	25.5"	Pin to side, handle not included	55.27

DIRECT WELD SPRING RETURN

TJD-12000TWSP-F	12,000	10,000	Topwind	12.5"	26"	25.5"	Pin to side, handle and mounting hardware	54
TJD-12000SP-F2	12,000	10,000	Sidewind	12.5"	28"	25.5"	Pin to side, handle and mounting hardware	58.24
TJD-12000SP-F2NH	12,000	10,000	Sidewind	12.5"	28"	25.5"	Pin to front, handle not included	55.27
TJD-12000SP-R2	12,000	10,000	Sidewind	12.5"	28"	25.5"	Pin to side, handle and mounting hardware	58.24
TJD-12000SP-R2NH	12,000	10,000	Sidewind	12.5"	28"	25.5"	Pin to side, handle not included	55.27

WELD ON TWO SPEED SQUARE TUBE JACKS



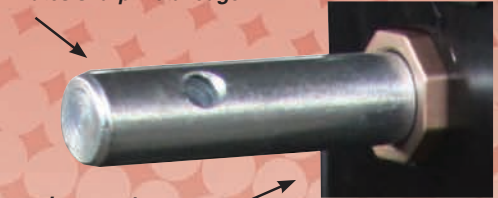
Two speed jacks offer a high and low gear. Low gear is designed to be able to lift heavy loads while still being easy to operate.



TJD2SP-12900SP-F

New design features a faster high speed with good lifting capability. Also provides an even smoother lift in low gear.

Eased/bevel on shaft end eliminates sharp metal edge



Large octagon brass bushing for even better function

- Models come standard with durable black powder coat finish on outer and inner tubes
- 12K sidewind models include a large octagon brass bushing for even better function
- Two speed gear boxes are within the width of the outer tube to eliminate interference issues at the front of the trailer
- Two speed models come standard with handle and handle mounting hardware
- Grease zerk for easy greasing of jack
- All two speed jacks use brass bushings for easier cranking and reduces wear for years of use
- Drop leg adds 13.75" of additional adjustability

DIRECT WELD SPRING RETURN - 12K TWO SPEED

Product Code	Support Capacity (lbs)	Lift Capacity (lbs)	Handle Style	Travel Distance	Jack Height (fully retracted)	Total Adjust.	Description	Unit Weight (lbs)
TJD2SP-12900SP-F	12,000	10,000	Sidewind	12.5"	28"	25.5"	Pin to front, handle and mounting hardware	68.6
TJD-12000SP-F2NH	12,000	10,000	Sidewind	12.5"	28"	25.5"	Pin to front, single speed companion jack when used in tandem, handle not included	55.27

"The Best Overall Value In The Industry"

TRAILER PRODUCTS | 15



15K SQUARE TUBE TRAILER JACK

Ideal for commercial, construction and other types of trailers where heavy duty lifting is needed.



TJD2SP-15000SP-F

TJD-15000SP-F

- 15,000lbs. support capacity
12,000lbs. lift capacity
- Heavy duty 4-3/8" outer tube construction
- Durable black powder coat finish
- Includes large octagon brass bushings for even better function
- 12-1/2" travel distance
- Spring return drop leg adds 13-3/4" of additional adjustability
- Grease zerks for easy greasing of jack
- 9" x 9" foot plate with weep holes for water drainage
- Handle assembly included
- TJD-15000SP-F pin to front single speed jack
- TJD-15000SP-R pin to right single speed jack
- TJD2SP-15000SP-F pin to front two speed jack
- 4" outer tube, 12,000 lbs. support/ 10,000 lbs. lift version also available (TJD-12500SP-F and TJD-12500SP-R)



20K DUAL PIN JACK

Ideal for commercial, construction and other types of trailers where heavy duty lifting is needed.



TJDDP2SP-20000SP-F

TJDDP-20000SP-F



- Large dual pin foot release for easy activation of the spring return drop leg
- 20,000 lb. support capacity, 12,000 lb. lift capacity
- Heavy duty 4-3/8" outer tube construction
- Durable black powder coat finish
- Includes large octagon brass bushings for even better function
- 13-1/2" travel distance
- Spring return drop leg adds 13" of additional adjustability
- Grease zerks for easy greasing of jack
- 9" x 9" foot plate with weep holes for water drainage
- Handle assembly included
- TJDDP-20000SP-F Dual pin single speed jack
- TJDDP2SP-20000SP-F Dual pin two speed jack

WELD ON TWO SPEED SQUARE TUBE JACK



TJD2SP-25100-F



- Improved interior design that enhances operation of jack.
- Heavy duty cross shaft weldment and brass bushings for durability and superior lift
- Eased/bevel on shaft end eliminates sharp metal edge
- Two speed model comes standard with handle and handle mounting hardware
- Two speed model includes a welded belly band on the bottom of the outer tube for additional strength to perform those heavy duty applications
- Durable black powder coat finish on inner and outer tubes
- Comes standard with grease zerks for easy greasing of jack
- Drop leg adds 13.75" of additional adjustability

LANDING GEAR SYSTEM

Product Code	Support Capacity (lbs)	Lift Capacity (lbs)	Handle Style	Travel Distance	Jack Height (fully retracted)	Total Adjust.	Description	Unit Weight (lbs)
TJD2SP-25100-F	25,000	25,000	Sidewind	12.5"	26.5"	25.5"	Pin to front, handle and mounting hardware	105.25
TJD-25100-F	25,000	25,000	Sidewind	12.5"	26.5"	25.5"	Pin to front, single speed companion jack when used in tandem, handle not included	81.75
TJD2SPSET-50100-F	50,000 Total (25,000/leg)	50,000 Total (25,000/leg)	Sidewind	12.5	26.5"	25.5"	Includes TJDSP-25100-F and TJD-25100-F above	187



SEMI TRAILER LANDING GEAR

Ideal for semi/tractor trailers or any large trailers where super duty strength is needed.



STLG-50033

- 50,000lbs. lifting capacity (per pair) @ 100 ft. lbs. input torque, 140,000lbs. support capacity and 27,000lbs. sideload capacity
- Two gear ratios: low speed 34.5 turns per inch, high speed 4.5 turns per inch
- Includes TTMA mount locations for bolting jacks to trailer frame
- Includes heavy duty sand foot
- Belly Band welded to bottom of outer tube for added strength
- Durable black powder coat finish on inner and outer tubes

SEMI TRAILER LANDING GEAR

Product Code	Lift Capacity (lbs)	Retracted Height	Extended Height	Description	Unit Weight (lbs)
STLG-50033-H12	50,000 Total (25,000 per leg)	33.7"	52.6"	Includes two speed and single speed jack set, 12" handle and cross bar, 4.5" jack outside tube	198
STLG-50033-H21	50,000 Total (25,000 per leg)	33.7"	52.6"	Includes two speed and single speed jack set, one 21" handle and cross bar, 4.5" jack outside tube	198

15K HYDRAULIC SQUARE TUBE JACK

STRONG & RELIABLE
RAM
PREMIUM
SERIES

*Ideal for use with commercial, construction and dump trailers.
Also works well where outrigger/stabilization is needed.*



HJ-15000-LEG1
(left leg shown)

- Hydraulic application allows for fast manual free operation
- 15,000lb. support capacity/12,000lb. lift capacity
- Pivoting large foot pad that works well on uneven surfaces
- Durable black powder coat finish
- 59" extended height, 34.8" retracted height
- 24.2" travel distance
- Two 7.5" x 4" mounting brackets for easy bolt-on application (HJ-15000-LEG1 & HJ-15000-LEG2)
- Also available without mounting brackets for direct weld applications (HJ-15000-LEG)
- Works with hydraulic pump units up to 3200 psi extension, 1500 psi retraction working pressure
- Hydraulic pump unit and control switch/remote pendant available (sold separately)
- Also available (upon request) as a kit: (2) jacks, hydraulic pump unit and control switch/remote pendant



HPU-DA004



15K SELF CONTAINED HYDRAULIC SQUARE TUBE JACK

STRONG & RELIABLE
RAM
PREMIUM
SERIES

*Ideal for use with horse/livestock as well
as commercial and construction trailers.*



HJ-15008

- Hydraulic application allows for fast manual free operation
- 15,000lb. support capacity/12,000lb. lift capacity
- Pivoting large foot pad that works well on uneven surfaces
- Durable black powder coat finish
- 59" extended height, 34.8" retracted height
- 24.2" travel distance
- Two 7.5" x 4" mounting brackets for easy bolt-on application
- Self contained hydraulic pump unit to operate jack, 500W 12V DC motor, double acting, 2.5 quarts usable volume reservoir, 3000 psi extension, 1500 psi retraction working pressure
- Includes control switch/remote pendant



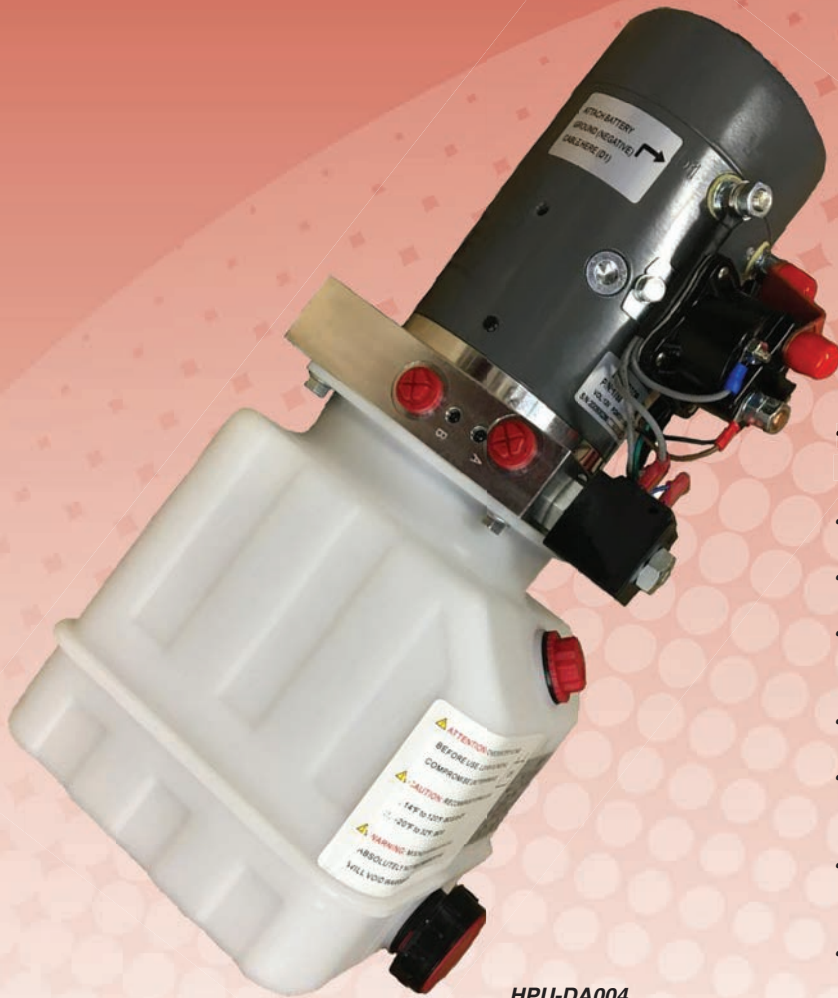
"The Best Overall Value In The Industry"

TRAILER PRODUCTS | 21

HYDRAULIC POWER UNIT

STRONG & RELIABLE
RAM
PREMIUM
SERIES

Hydraulic power unit and control switch/remote pendant works with RAM® 15K Hydraulic Jack (HJ-15000-LEG) and also Hydraulic Scissor Hoist Systems.



HPU-DA004

- Works with 12 volt deep cycle direct current RV/Marine trailer battery
- 1.6KW 12v DC motor
- Double acting
- 3200 psi extension/1500 psi retraction working pressure
- Four quarts of usable volume reservoir
- Six, eight or larger quart reservoir units available upon request
- Includes control switch/remote pendant with 12' cord
- Other hydraulic system items available upon request

HYDRAULIC SCISSOR HOIST AND ACCESSORIES

STRONG & RELIABLE
RAM
PREMIUM
SERIES

Ideal for use with dump trailers



Four pivot weld on bars included with scissor hoist

- Scissor hoist system allows for durable operation
- Available 5" cylinder with 16" stroke (516), 5" cylinder with 20" stroke (520) and 3-1/2" cylinder with 10" stroke (310)
- Cylinder comes black painted and can easily be bolted to the scissor hoist (sold separately)
- Scissor hoist raw with light oil that can be installed then painted or powder coated to match trailer frame/chassis
- Includes four weld on brackets to install scissor hoist to trailer frame
- Hydraulic power unit and control switch/remote pendant also available (sold separately)
- Also available in kit form that would include scissor hoist, hydraulic cylinder, HPU power unit and accessories



HPU-DA004

Control switch/remote pendant also available as a separate item (HPU-RP12W2B)



HCYLND-516 – 5" diameter x 16" stroke hydraulic cylinder
HCYLND-520 – 5" diameter x 20" stroke hydraulic cylinder

HYDRAULIC ACCESSORIES

	RH-FIT38 3/8" fitting		RH-LHG Heavy duty hinge assembly		RH-STRP Rubber battery strap
	RH-FIT38L 3/8" L-shape fitting		RH-MHG Medium duty hinge assembly	Prop Kit (RH-PROPKIT)	
	RH-LDCTL 3/8" load control valve		RH-LKCL-20 2" locking collar RH-LKCL-2.5 2.5" locking collar RH-LKCL-2.75 2.75" locking collar		Safety Arm
	HFD-612 Flow divider with SAE #6 fitting		RH-BCBL-20G4 Battery cables, one red, one black, GA 4 20"		Safety arm cup
					Safety arm bracket

"The Best Overall Value In The Industry"

TRAILER PRODUCTS | 23

STAMPED TRAILER COUPLERS



- Stamped couplers are 100% ball fitted to ensure a proper fit when coupler is hooked up to a hitch ball
- Black finish stamped couplers come standard with a durable black powder coat finish
- Coupler latch designs are setup for easy, yet safe coupling and uncoupling
- Include all SAE required markings and are compliant to standard J684



CA-5400-B



CA-5100-B



CA-5210-B



CT-5003-Z

STRAIGHT COUPLERS

Product Code	Ball Size	Channel Width	Capacity (lbs)	Finish	Unit Wt. (lbs)
CT-2001-O	1-7/8"	2"	2,000	Raw with light oil	2.93
CT-2001-Z	1-7/8"	2"	2,000	Durable zinc finish	2.9
CT-2002-Z	1-7/8"	2-1/2"	2,000	Durable zinc finish	3.2
CT-2003-Z	1-7/8"	3"	2,000	Durable zinc finish	3.22
CT-3001-O	2"	2"	3,500	Raw with light oil	4.4
CT-3001-Z	2"	2"	3,500	Durable zinc finish	4.4
CT-3002-O	2"	2-1/2"	3,500	Raw with light oil	4.51
CT-3002-Z	2"	2-1/2"	3,500	Durable zinc finish	4.4
CT-3003-O	2"	3"	3,500	Raw with light oil	4.5
CT-3003-Z	2"	3"	3,500	Durable zinc finish	4.4
CT-5003-O	2"	3"	5,000	Raw with light oil	4.69
CT-5003-Z	2"	3"	5,000	Durable zinc finish	4.69
CT-8003-Z	2"	3"	8,000	Durable zinc finish	6.65

TOP LATCH A-FRAME COUPLERS

Product Code	Ball Size	Capacity (lbs)	Finish	Unit Wt. (lbs)
CA-5100-O	2"	5,000	Raw with light oil	6.73
CA-5100-B	2"	5,000	Black powder coat	6.76
CA-5400-O	2-5/16"	14,000	Raw with light oil	8.8
CA-5400-B	2-5/16"	14,000	Black powder coat	8.89
CA-5100-Z	2"	5,000	Durable zinc finish	6.73
CA-5400-Z	2-5/16"	14,000	Durable zinc finish	8.8

EXT. YOKE/HELMET A-FRAME COUPLERS

CA-5210-O	2"	8,000	Raw with light oil	7.67
CA-5210-B	2"	8,000	Black powder coat	7.69



PRECISION CAST TRAILER COUPLERS

Sleeve Lock Couplers Now Feature Solid Shank and Re-enforced Sleeve Collar for Even Greater Strength!

- A-frame sleeve lock couplers are stronger and have more steel content than others in the marketplace.
- The new patent pending 15K and 20K capacity couplers feature a heavy duty cast head with a top lever latch and pin assembly. (Models CA-5280-RB, CA-5280-QB, CTA-280 and CTA-80PL)
- Black finish couplers come standard with a durable black powder coat finish.
- Include all SAE required markings and are compliant to standard J684



CA-5296-B



RAM sleeve lock couplers feature a precision cast coupler head that is distinguished from other manufactures. Its symmetric, straight with two corners and flat top shape allows for a self adjusting coupler head. This makes it easy, yet safe for coupling and uncoupling.

(Models CA-5196-B, CA-5296-B, CTA-196, CTA-296, CA-5196H-B and CA-5296H-B)

Re-enforced inside ring on front portion of collar sleeve



Solid Shank

(Shown raw before prepared for black powder coat finish)



SLEEVE LOCK A-FRAME COUPLERS

Product Code	Ball Size	Capacity (lbs)	Finish	Unit Wt. (lbs)
CA-5196-B	2"	7,000	Black powder coat finish - Low Profile Latch	13.82
CA-5296-B	2-5/16"	12,500	Black powder coat finish - Low Profile Latch	17.58
CA-5196H-B	2"	7,000	Black powder coat finish - High Profile Latch	14.55
CA-5296H-B	2-5/16"	12,500	Black powder coat finish - High Profile Latch	18.31

HEAVY DUTY A-FRAME COUPLERS

CA-5280-RB	2-5/16"	15,000	Black powder coat finish	19.5
CA-5280-QB	2-5/16"	15,000	Black powder coat finish (square jack hole)	19.5

FLAT MOUNT COUPLERS

CTA-400PL	2-5/16"	14,000	Stamped coupler, black powder coat with mounting plate	9.8
CTA-80PL	2/5/16"	20,000	Black powder coat finish, heavy duty cast head bolt on coupler (incl. coupler latch safety pin)	14.5



CA-5296H-B



CA-5280-RB



CTA-80PL
Flat Mount Coupler

"The Best Overall Value In The Industry"

TRAILER PRODUCTS | 25

ADJUSTABLE TRAILER COUPLERS



CTA-296



CTA-400



CTA-280



4 Hole
3-Position
Channel



6 Hole
5-Position
Channel

- 15K capacity adjustable coupler features a heavy duty precision cast head with a very durable top lever latch and pin assembly. (Models CTA-280)
- Adjustable couplers come standard with grade 8 nuts and bolts and are setup for an industry standard 3" wide channel
- Black finish couplers come standard with a durable black powder coat finish
- Sleeve lock adjustable couplers feature a solid shank for greater strength. (CTA-196 and CTA-296)
- Include all SAE required markings and are compliant to standard J684

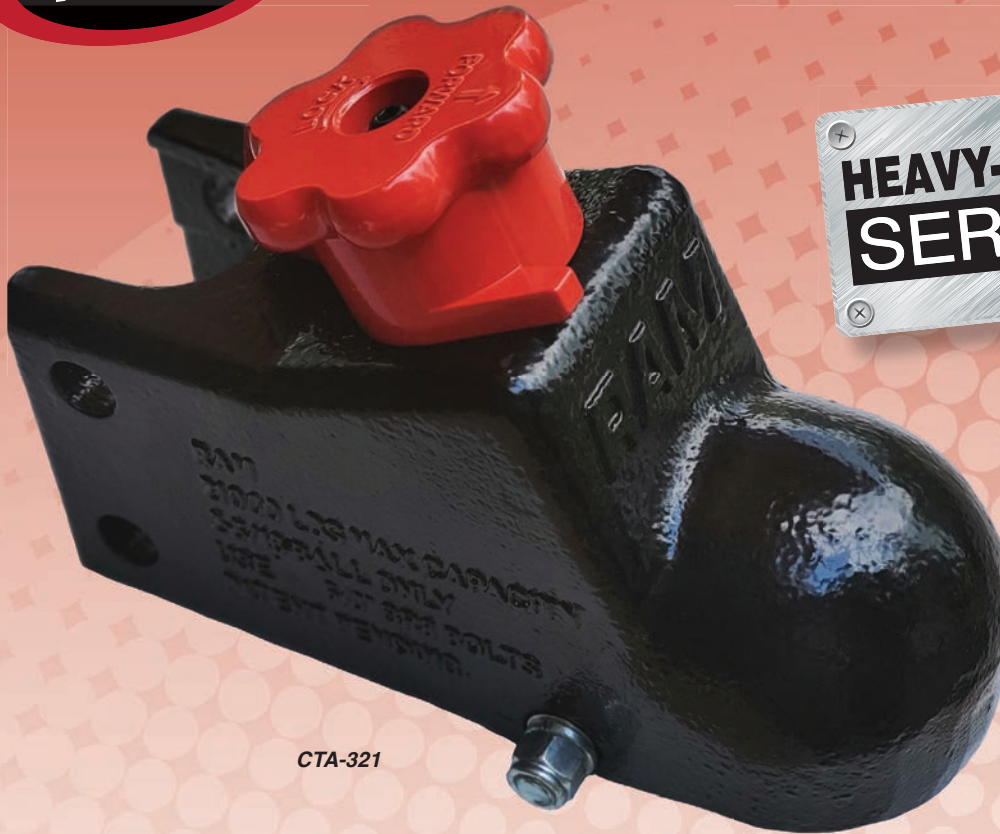
Product Code	Ball Size	Capacity (lbs)	Description	Unit Wt. (lbs)
CTA-400	2-5/16"	14,000	Black powder coat finish, stamped adjustable coupler with grade 8 bolts/nuts	8.72
CTA-400CB4	2-5/16"	14,000	Black powder coat finish, stamped adjustable coupler with grade 8 bolts/nuts, 4 hole/3 position channel	14.49
CTA-400CB6	2-5/16"	14,000	Black powder coat finish, stamped adjustable coupler with grade 8 bolts/nuts, 6 hole/5 position channel	17.23
CTA-196	2"	7,000	Black powder coat finish, solid shank, sleeve lock adjustable coupler w/grade 8	9.8
CTA-296	2-5/16"	12,500	Black powder coat finish, solid shank sleeve lock adjustable coupler w/grade 8	11.31
CTA-280	2-5/16"	15,000	Black powder coat finish, heavy duty cast head adjustable coupler with grade 8 bolts/nuts	12.8
CTA-CB4	N/A	N/A	4 hole / 3 position channel, raw with light oil (works with 7K and 14K adjustable couplers)	4.89
CTA-CB6	N/A	N/A	6 hole / 5 position channel, raw with light oil (works with 7K and 14K adjustable couplers)	7.62
CTA-CB126	N/A	N/A	6 hole / 5 position channel, raw with light oil (1/2" plate material) Works w/ 15K and 21K adjustable couplers	10.0

21K ADJUSTABLE TRAILER COUPLER

STRONG & RELIABLE

RAM
PREMIUM
SERIES

NEW!



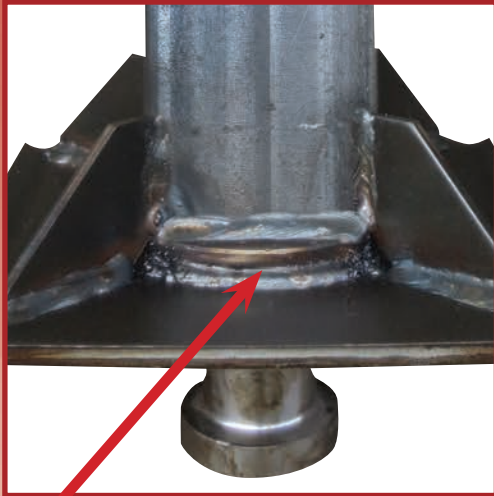
CTA-321

- *Easy rotational action for latching with a high strength contoured aluminum die cast knob*
- *Patent pending design provides an automatic secondary latching system when handle is rotated into the closed position providing a safer towing experience*
- *When rotated into the open position, the coupler will stay in the open position allowing ease of hooking up to a 2 5/16" hitch ball*
- *21,000lb capacity with heavy duty precision cast head design*
- *Fits industry standard 3" wide adjustable channel*
- *Durable powder coat finish*
- *Mounting hardware included*
- *Includes all SAE required markings and is compliant to J684 standard*

"The Best Overall Value In The Industry"

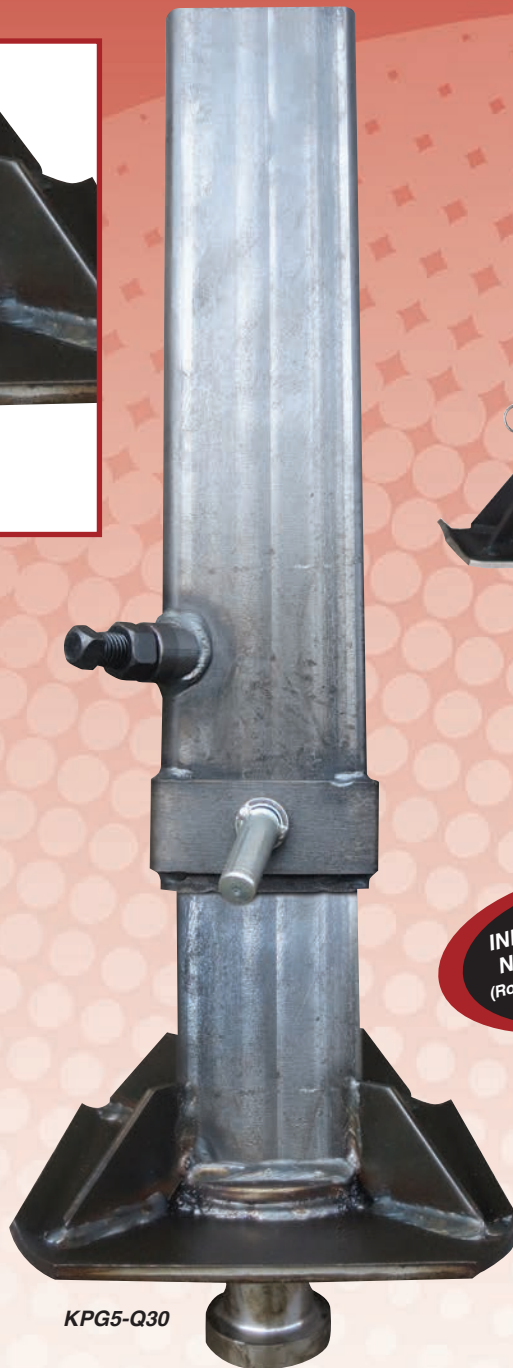
TRAILER PRODUCTS | 27

KING PIN GOOSENECK COUPLERS



New design features king pin head welded to gooseneck inner tube for added strength!

- Available both in round tube and square tube designs
- Now available in both 25K and 30K capacities
- 30K designs include a welded belly band at the bottom of the outer tube for added strength
- All king pin models include load bearing pin design to meet SAE J2638 standard
- All king pin models have an 8" height adjustment



KPG5-Q30



KPG5-R25

**INNER PIPE ONLY
NOW AVAILABLE**
(Round tube or square tube)



KPG5-R25-IP

KPG5-R25	25K	ROUND	TUBE	KING PIN	GOOSENECK
KPG5-Q25	25K	SQUARE	TUBE	KING PIN	GOOSENECK
KPG5-R30	30K	ROUND	TUBE	KING PIN	GOOSENECK
KPG5-Q30	30K	SQUARE	TUBE	KING PIN	GOOSENECK



GOOSENECK COUPLERS



GCPN-25008



GCSQ-25008



GCSQTW-30008

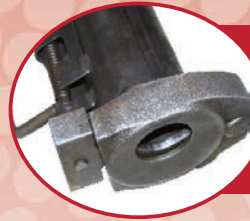


GC-24008



GCPN-30008

- Hidden spring latch mechanism within casting for ease of use and protection of moving parts
- All gooseneck couplers with load bearing pin meet the SAE J2638 standard
- 30K gooseneck couplers and 25K and 30K square tube gooseneck couplers include a welded belly band on the bottom of the outer tube for added strength



Precision cast head design features EXCLUSIVE ONE PIECE COUPLER CASTING with a curved internal ball clamp bar for greater strength and even better fit!

ROUND TUBE WITH 2 SET SCREWS

Product Code	Ball Size	Capacity (lbs)	Outer Tube Size	Inner Tube Wall Thickness	Retracted Height	Adj.	Description	Unit Weight (lbs)
GC-24008	2-5/16"	24,000	4.5"	0.24"	30"	8"	Solid one piece cast head with curved internal ball clamp bar	54
GC-30008	2-5/16"	30,000	4.5"	0.30"	30"	8"	Solid one piece cast head with curved internal ball clamp bar	60

ROUND TUBE WITH LOAD BEARING PIN / 2 SET SCREWS

GCPN-25008	2-5/16"	25,000	4.5"	0.24"	29.2"	8"	Solid one piece cast head with curved internal ball clamp bar	54
GCPN-30008	2-5/16"	30,000	4.5"	0.30"	29.2"	8"	Solid one piece cast head with curved internal ball clamp bar	60

SQUARE TUBE WITH LOAD BEARING PIN / 2 SET SCREWS

GCSQ-25008	2-5/16"	25,000	4.5"	0.24"	32"	8"	Solid one piece cast head with curved internal ball clamp bar	64
GCSQ-30008	2-5/16"	30,000	4.5"	0.275"	32"	8"	Solid one piece cast head with curved internal ball clamp bar	70

SQUARE TUBE WITH TOP WIND CRANK

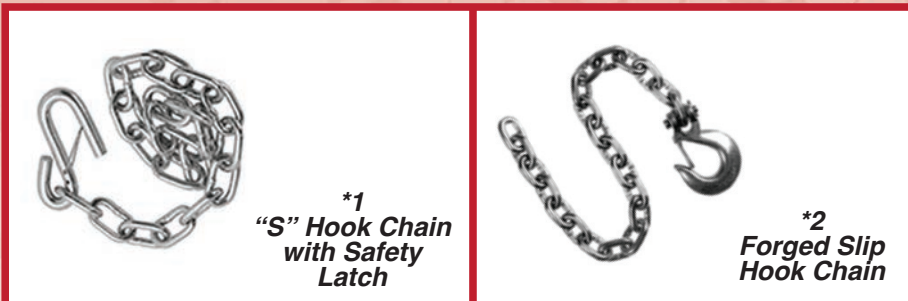
GCSQTW-30008	2-5/16"	30,000	4.5"	0.275"	32"	7"	Solid one piece cast head with curved internal ball clamp bar	78
--------------	---------	--------	------	--------	-----	----	---	----



FORGED D-RINGS AND SAFETY CHAIN



Product Code	Diameter	Interior Dimensions	Safe Working Load (lbs)	Ultimate Breaking Strength (lbs)	Description	Unit Wt.
DR-120W	1/2"	2-1/2"x2-3/8"	4,080	11,780	Forged from C1045 steel with weld on mounting bracket	.82
DR-12B	1/2"	2-1/2"x2-3/8"	4,080	11,780	Forged from C1045 steel with two hole bolt on mounting bracket	.99
DR-580W	5/8"	3"x3"	6,130	18,390	Forged from C1045 steel with weld on mounting bracket	1.87
DR-340W	3/4"	3"x3"	9,120	26,500	Forged from C1045 steel with weld on mounting bracket	2.41
DR-1034W	1"	3"x4"	15,586	46,760	Forged from C1045 steel with weld on mounting bracket	4.91
RRING-Q6000	3/8"	4.5"x5" (Overall)	2,000	6,000	Bolt-on recessed D-Ring	1.11



Product Code	Cell Dia.	Overall Length	Capacity (lbs)	Cell Grade	Hook Description	Unit Wt. (lbs)
SC31624	3/16"	24"	3,200	30	1 S-Hook with safety latch (*1)	.95
SC31627	3/16"	27"	3,200	30	1 S-Hook with safety latch (*1)	1.1
SC31648	3/16"	48"	3,200	30	2 S-Hooks (1 hook on each end of chain assembly) with safety latches (*1)	1.9
SC1427	1/4"	27"	5,200	30	1 S-Hook with safety latch (*1)	1.7
SC1448	1/4"	48"	5,200	30	2 S-Hooks (1 hook on each end of chain assembly) with safety latches (*1)	3.0
SC1454	1/4"	54"	5,200	30	2 S-Hooks (1 hook on each end of chain assembly) with safety latches (*1)	3.4
SC1460	1/4"	60"	5,200	30	2 S-Hooks (1 hook on each end of chain assembly) with safety latches (*1)	3.7
SC113230	5/16"	30"	7,600	30	1 S-Hook with safety latch (*1)	2.7
SC113254	5/16"	54"	7,600	30	2 S-Hooks (1 hook on each end of chain assembly) with safety latches (*1)	5.0
SC1430-G43	1/4"	30"	7,800	43	1 Forged slip hook with safety latch (*2)	2.1
SC51635-G43	5/16"	35"	11,700	43	1 Forged slip hook with safety latch (*2)	3.6
SC3835-G43	3/8"	35"	16,200	43	1 Forged slip hook with safety latch (*2)	5.8
SC1436-G70	1/4"	36"	12,600	70	1 Forged slip hook with safety latch (*2)	2.5
SC3835-G70	3/8"	35"	26,400	70	1 Forged slip hook with safety latch (*2)	5.2

REPLACEMENT & REPAIR PARTS



2K AND 5K ROUND TUBE JACKS

	TJA-2000-HD/ MJ-1500B-HD 2K & 5K Topwind Handle		TJA-2000-BR 2K & 5K Bearing		TJP-IP58 2" Inner (5/8" hole) Mat- ing Tube		TJP-PN916 9/16" Pin w/Chain (Includes replacement rivet)
	TJA-2000S-HD 2K Sidewind Handle		TJA-2000S-CP/ MJ-1500B-CP 2K Sidewind Cap		TJP-FP58 3" Outer Mating Tube		TJP-PN58 5/8" Pin w/Chain (Includes replacement rivet)
	TJPB-HD Wire Handle with Claw Knob		TJB-MB Mounting Brackets		TJP-OP916 2.5" Mounting Tube with 9/16" Hole		
	TJA-2000S-GR 2K & 5K Sidewind Gear Kit		TJP-IP 2" Inner Mating Tube		TJP-OP58 2.5" Mounting Tube with 5/8" Hole		

SQUARE TUBE AND DROP LEG JACKS

	TJD-7000-BR 7K Jack Bearing		TJD-7000-PN 7K Jack Foot Pin		TJD-12000- CLIP 12K Jack Handle Clip		TJD-5000-FT/ MJSQ-2500FT Drop Leg Foot
	TJD-7000S-GR 7K Sidewind Gear Kit		TJD-7000S-BU 7K Sidewind Jack Handle Shaft Bushing		TJD-12000 RODNUT		TJD-25000-CP
	TJD-7000HD 7K Topwind Handle		TJD-12000-BR 12K Jack Bearing		TJD-12000-RSP Spring (For 12K Spring Return Jacks)		TJD-12900-GBX Gear Box (For 12K Two Speed Jacks)
	TJD-7000S-HD 7K Sidewind Handle		TJD-12000-CP 12K Sidewind Jack Cap		TJD-12000-SHABU 12K Sidewind Jack Handle Shaft w/Brass Bushings		
	TJD-7000FT 7K Jack Drop Leg		TJD-12000-GR 12K Sidewind Jack Gear Kit		TJD-5000S-CP/ MJSQ-2500B-CP		
	TJD-7000S-CP 7K Sidewind Jack Cap		TJD-12000-HD 12K Sidewind Jack Handle		TJD-12000-PPN		TJP-OP5825 Weld-on Mounting Tube for 7K Pipe Mount Jacks

REPLACEMENT & REPAIR PARTS

COUPLER REPAIR PARTS



CT-2000-RK
Repair Kit (For 1-7/8" Ball Straight Channel Couplers)

CT-3000-RK
Repair Kit for all 2" Ball Straight Channel Couplers (2", 2-1/2" and 3" Channels)

CA-5100-RK
Repair Kit (For 2" A-Frame Couplers)

MISCELLANEOUS REPLACEMENT PARTS

 <p>HDKB-BLK Black Handle (For Sidewind Jacks)</p>	 <p>SNP-RING 2-1/2" Snap Ring</p>	 <p>GC-RSPN - Gooseneck Coupler Return Spring (For Gooseneck Designs with Separate Sliding Bottom Plate)</p>	 <p>CA-5196-PN Pin (For 7K and 12.5K Sleeve Lock Couplers)</p>
 <p>HDKB-BLKF Black Handle (For Topwind Jacks)</p>	 <p>MBT58500-LN58 5/8" x 5" Grade 8 Bolt/Nut (For Adjustable Couplers)</p>	 <p>JFC-PN Snapper Pin (For Jack Foot, Caster Wheel and Couplers)</p>	 <p>CA-5196-SPR Spring (For 7K and 12.5K Sleeve Lock Couplers)</p>
 <p>HDKB-RED Claw Handle (For Topwind Jacks and 30K Adjustable Gooseneck Coupler)</p>	 <p>PLGPIN-12 1/2" Plunger Pin Assembly</p>	 <p>GCPN-PIN Load Bearing Pin (For all Load Bearing Pin Gooseneck Couplers)</p>	
 <p>GRS-ZERK Jack Grease Zerk</p>	 <p>SS-34103 3/4" Set Screw (For Gooseneck Couplers)</p>	 <p>GCPN-EPN</p>	

MARINE SWIVEL JACKS

 <p>MJ-1000B-HD Handle replacement (For MJ-1000 series)</p>	 <p>MJ-1000B-MBB Bolt on mounting bars and bolts</p>	 <p>JWK-6P 6" Poly Wheel</p>	 <p>MJ-1001B-MK Bolt through mounting kit (For MJ-1001B)</p>
 <p>MJ-1000B-KB Handle knob with bolt and nut</p>	 <p>MJ-1000B-GR - Gear kit</p>	 <p>JWK-6DP 6" Dual Wheel</p>	 <p>MJ1000B-MK Bolt through mounting kit (For MJ-1200B & MJ-1500B)</p>
 <p>MJ-1000B-CP Cap (For 1000lb and 1200lb Marine Jacks)</p>	 <p>MJ-1000B-BR Bearing</p>	 <p>JWK-8P 8" Poly Wheel</p>	

ELECTRIC A-FRAME JACKS

 <p>EJ-3520-BCP Cap for EJ-3520-B jack</p>	 <p>EJ-3520-PSW Power switch for EJ-3520-B jack</p>	 <p>EJ-3520-LENS Light Lens for EJ-3520-B jack</p>	 <p>EJ-3520-FT Foot for EJ-3520-B jack</p>
 <p>EJ-3520-BCV Black cover for EJ-3520-B jack</p>	 <p>EJ-3520-LSW Light switch for EJ-3520-B jack</p>	 <p>EJ-3520-HD Handle for EJ-3520-B jack</p>	 <p>EJ-3520-HARN Wire harness for EJ-3520-B jack</p>